

Integrated Access Control Solutions

The KeyPAC Solo™ is a standalone reader controller. It has an attractively styled ABS housing with dual LEDs and is available in black or white. The screw heads are covered by a 'clip-in' decor panel which can be easily replaced if the front of the reader becomes damaged. It also has a built-in sounder which can be programmed to issue a local alarm when a door is left open or forced.

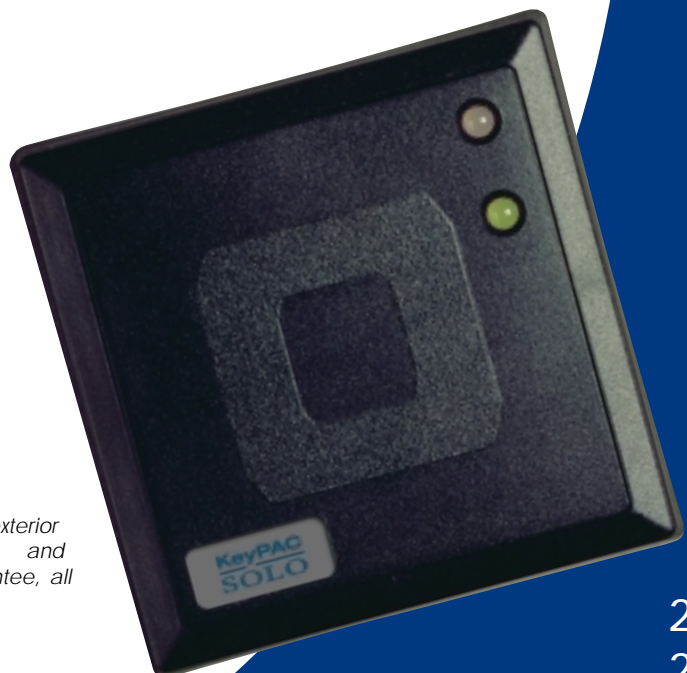
The KeyPAC Solo (standard) is designed to fit a standard MK™ backbox as well as several European makes of backbox. Backboxes are available from PAC.

Reasons to choose KeyPAC Solo Readers:

- Low cost single door access control system
- Supplied with 10 KeyPAC proximity ID devices and 10 Shadow cards
- Includes two master KeyPAC ID cards for programming
- Up to 200mm reading range
- Up to 2,000 users
- Bi-directional reading
- Tamper protected
- Door monitoring
- Alarm output
- Five year guarantee*

***Product guarantees**

KeyPAC Solo is encapsulated in a highly durable resin so that it is suitable for interior and exterior use. KeyPAC Solo carries a five year guarantee and KeyPAC tokens and cards carry a lifetime guarantee, all against electronic failure.



KeyPAC Solo Standard

21325
21326
21327
21328

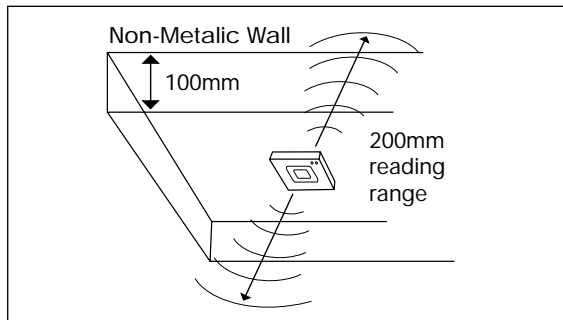


Features

To gain access the user must present a valid ID (identification device) to the reader/controller. KeyPAC Solo will only work with KeyPAC ID devices and not with the standard PAC ID devices.

You can also use KeyPAC Solo as a secure switch. This feature can be used to turn many types of equipment on and off (e.g. alarm system).

The strong reading range of the KeyPAC Solo means that Bi-directional reading is possible i.e. a door can be controlled from the opposite side of the wall that the reader is fixed to - meaning only one unit needs to be purchased.



Specification

Maximum reading range: typically up to 200mm

Part numbers

- KeyPAC Solo - Standard Black with 10 ID Cards 21325
- KeyPAC Solo - Standard White with 10 ID Cards 21327
- KeyPAC Solo - Standard Black with 10 ID tokens 21326
- KeyPAC Solo - Standard White with 10 ID tokens 21328
- Wallet with 10 ID Cards 20018
- Wallet with 10 ID Tokens 20019

KeyPAC Solo includes:

- 1 x KeyPAC Solo reader controller unit
- 2 x Master cards for programming
- 10 x Choice of electronic ID devices cards or tokens
- 10 x Shadow cards



Solo uses KeyPAC technology and is only compatible with the new KeyPAC token/cards

